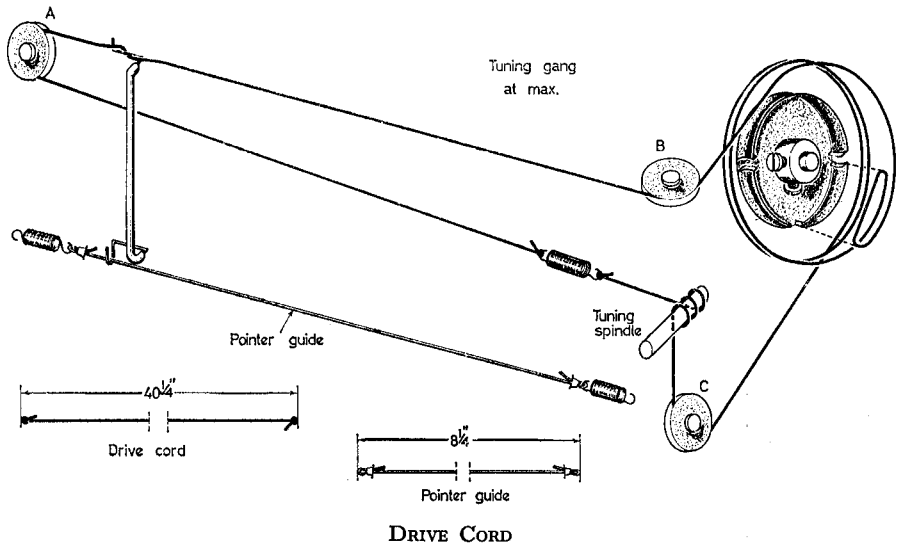


PHILIPS

Models F5G50AT, F5G51AT

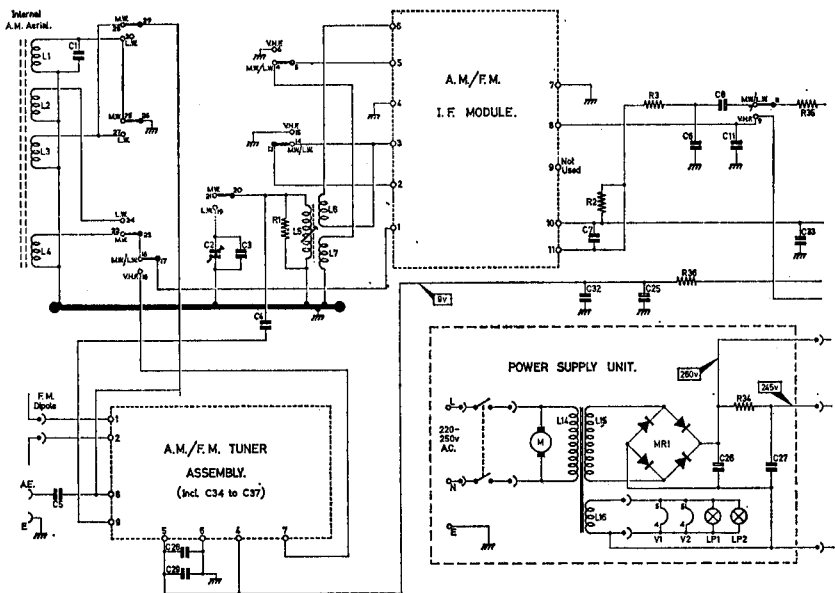
General Description: Hybrid, stereo radiograms for reception of M.W./L.W. and F.M., employing transistors in the R.F. and I.F. module circuits, and one transistor as an audio amplifier. A valve output stage is used for each channel. A Garrard Model 200 changer unit is fitted incorporating an Acos GP 73 X cartridge with turnover diamond L.P. and sapphire 78 styli. For use on 220–250 volt, 50 c/s. A.C. mains only. Model F5G50A uses a similar chassis to Model F5G51A with the omission of the bass control and is fitted with a rotary wavechange switch. *Warning:* The I.F. and gang assembly modules are factory aligned units and should either require alignment or servicing, they must be returned intact to the manufacturers.



Loudspeaker Phasing: Disconnect the two outer leads from the speaker lead connection block mounted inside the cabinet. Connect the negative lead of a multi-range meter (switched to the lowest d.c. current range) to the common black leads, and the positive lead to one of the disconnected speaker leads. Press the speaker cone lightly forward and note the direction of meter pointer deflection. Repeat the test with the second speaker, connecting the meter positive lead to the other disconnected lead.

If the phasing is correct, the direction of deflection should be the same for both speakers. If the phasing is found to be incorrect, reverse the connections on one speaker.

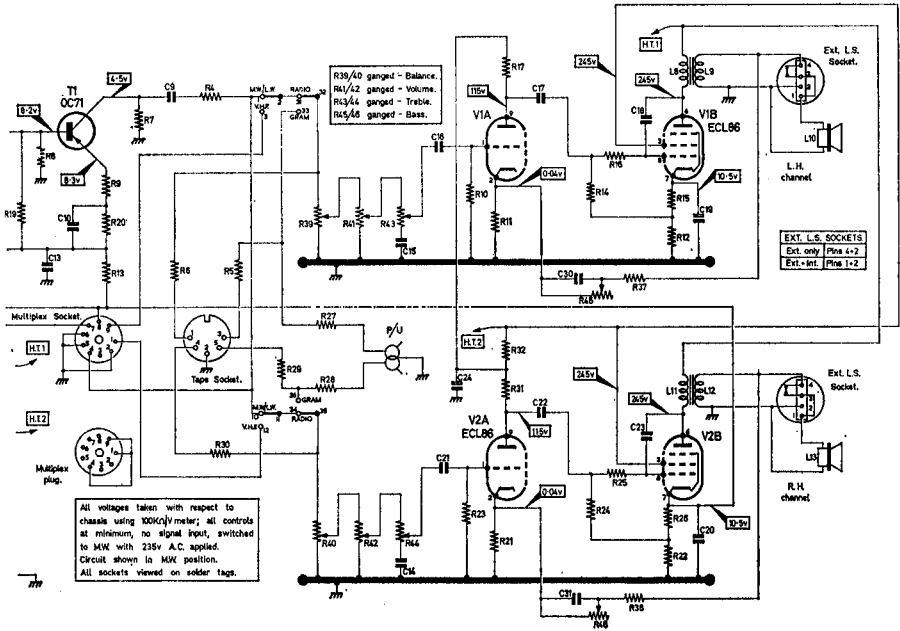
RADIO SERVICING



CIRCUIT DIAGRAM—

Capacitors.					
C1	47	C22	0.01 F.	R3	5,600
C2	3-40	C23	10	R4	0.1M
C3	170	C24	8 μ F.	R5	0.1M
C4	200	C25	100 F.	R6	2.2M
C5	3.9	C26	40 μ F.	R7	5,600
C6	4700	C27	40 μ F.	R8	82,000
C7	0.01 μ F.	C28	0.2 μ F.	R9	47
C8	10 μ F.	C29	0.02 μ F.	R10	10M
C9	0.01 μ F.	C30	0.1 μ F.	R11	82
C10	100 μ F.	C31	0.1 μ F.	R12	100
C11	4700	C32	0.01 μ F.	R13	150
C13	250 μ F.	C33	500 μ F.	R14	0.68M
C14	170	C34	Gang	R15	200
C15	170	C35	Gang	R16	4,700
C16	4700	C36	Trimmer	R17	0.22M
C17	0.01 μ F.	C37	Trimmer	R19	1,000
C18	10	C38	8 μ F.	R20	1,000
C19	50 μ F.			R21	82
C20	500 μ F.			R22	150
C21	4700			R23	10M
				R24	0.68M
				R25	4,700
				R26	200
				R27	56,000
				R28	56,000
				R29	0.1M
				R30	2.2M
				R31	0.22M
				R32	56,000
				R34	1,000
				R35	33,000
				R36	1,500
				R37	1,800
				R38	1,800
				R39	Balance 1M + 1M
				R40	1,000
				R41	Volume 1M + 1M
				R42	1,000
				R43	Treble 500 + 500
				R44	1,000
				R45	1,000
				R46	Bass 10k + 10k
				R47	200

PHILIPS



MODEL F5G51AT